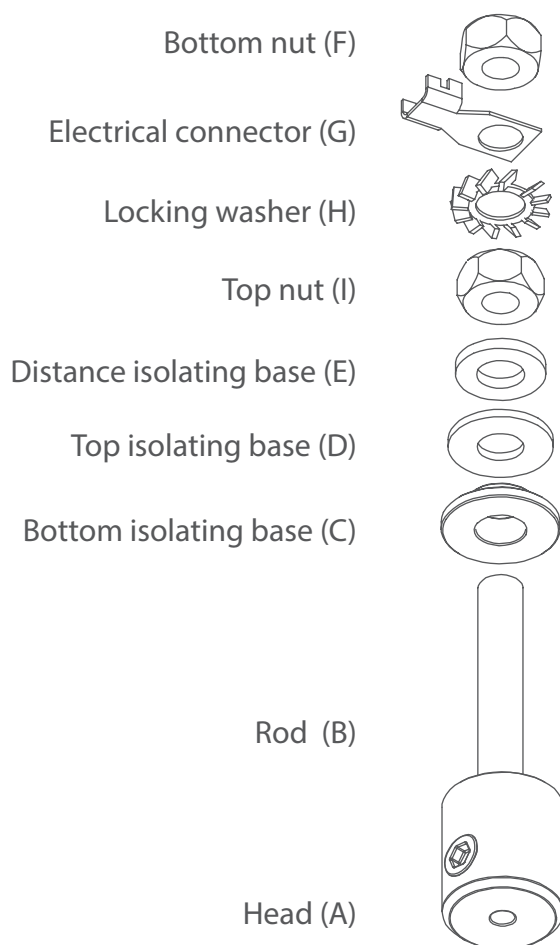


Parts needed to mount the P-BOX-Z fastener:

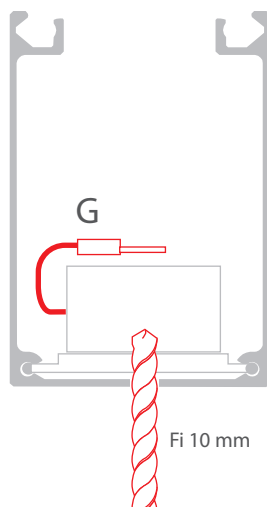


Tools needed for mounting:

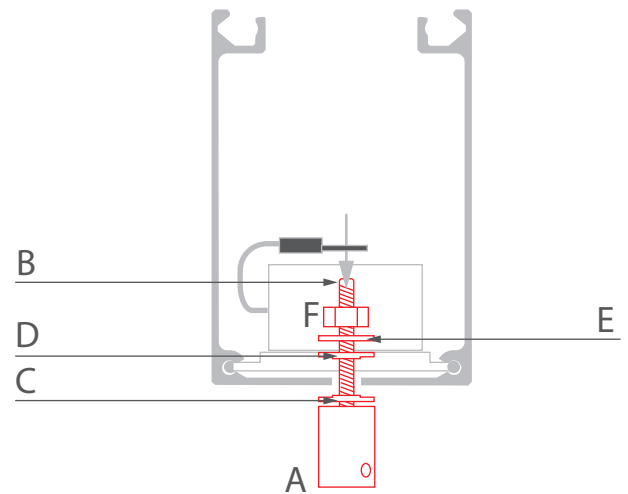
- allen wrench
- drill

NOTE! A list of products corresponding with the selected accessories is available at www.klusdesign.eu

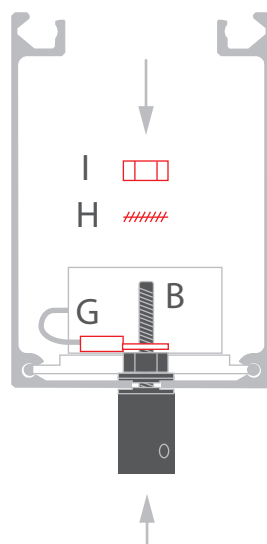
1. Connect the wire from the power supply to the electrical connector (G). Drill the 10mm in diameter holes.



2. From the outer part of the extrusion place the bottom isolation base (C) and head (A) on the rod. From the inner part of the extrusion place the top isolation base (D), distance isolation base (E) and bottom nut on the rod (F).



3. Place the electrical connector (G) onto the rod (B), next place the locking washer (H) and top nut (I).



4. Insert the rod from the fixture through head. **ATTENTION!** the rod cannot touch the aluminum sides of the BOX extrusion. Finally, tighten the allen screw inside the head with the use of allen key.

